

INSTALLATION INSTRUCTIONS

FAIRING SIDE LIGHT HARNESS
PART # 76-900

FOR HONDA GL1500/6
GOLD WING MODELS

ITEMS REQUIRED: FLAT BLADE SCREWDRIVER
#2 PHILLIPS SCREWDRIVER

(LEFT SIDE)

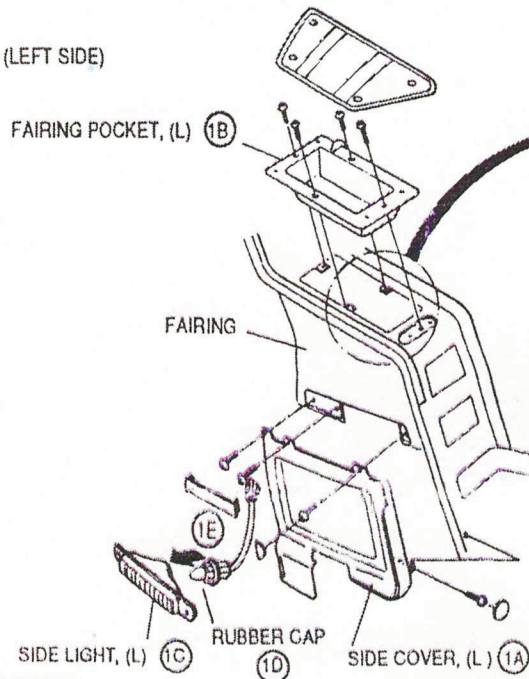


FIGURE #1

(RIGHT SIDE)

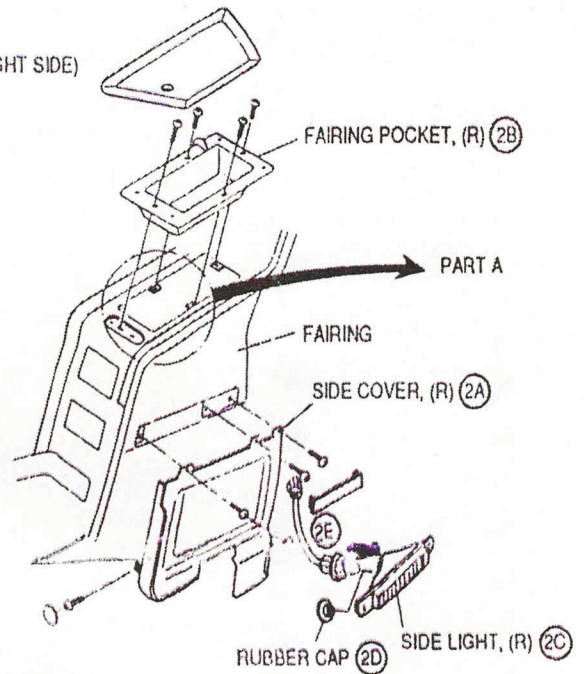


FIGURE #2

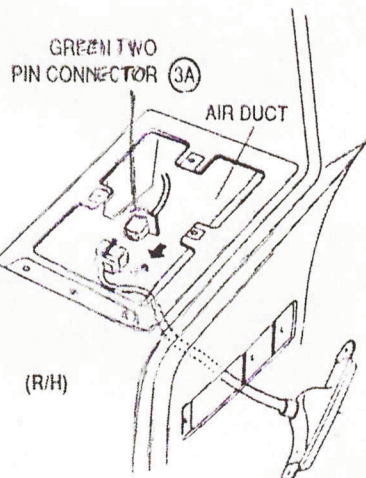


FIGURE #3

1. REMOVE L/R SIDE COVERS, 1A, 2A.
2. REMOVE L/R FAIRING POCKETS, 1B, 2B.
3. REMOVE L/R SIDE LIGHTS, 1C, 2C.
4. UNPLUG L/R RUBBER CAPS FROM BACK OF SIDE LIGHTS, 1D, 2D.
5. PLUG LIGHT HARNESSES INTO L/R SIDE LIGHTS, 1E, 2E.
6. RUN GREEN WIRE HARNESS CONNECTOR THROUGH R/H FAIRING (FIG. 3) AND PLUG INTO GREEN TWO PIN CONNECTOR 3A.
7. REPEAT STEP 6 FOR L/H FAIRING (NOT ILLUSTRATED).
8. REINSTALL L/R SIDE COVERS & L/R FAIRING POCKETS.