

INSTALLATION INSTRUCTIONS

TRUNK SIDE LIGHT HARNESS
PART # 76-900

FOR HONDA GL1500/6
GOLD WING MODEL

ITEMS REQUIRED: 8 MM OPEN END WRENCH
32 PHILLIPS SCREWDRIVER

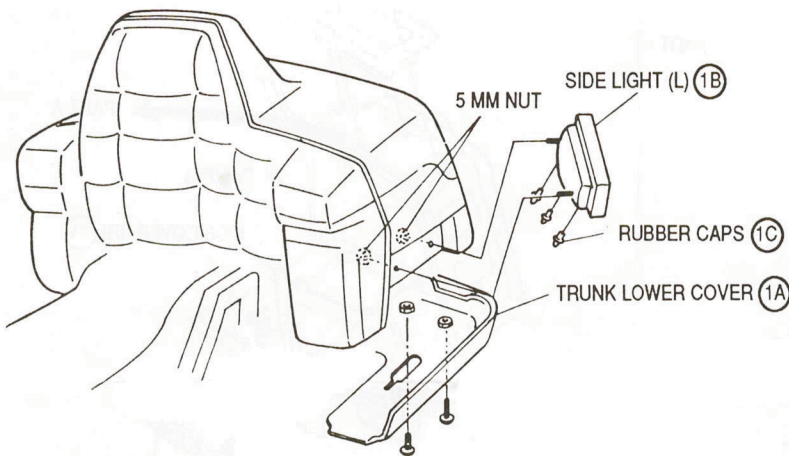


FIGURE #1

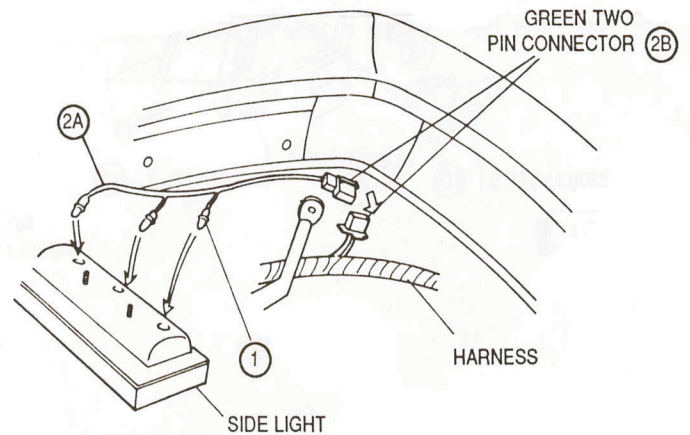


FIGURE #2

1. UNFASTEN & REMOVE TRUNK LOWER COVER (FIG. 1A)
2. REMOVE L/R SIDE LIGHTS (FIG. 1B)
3. REMOVE THE RUBBER PLUGS FROM L/R LIGHTS (FIG.1C) PLUG BULBS INTO ALIGNING LIGHT SOCKETS. (FIG. 2A)
4. PLUG L/R GREEN HARNESS CONNECTORS (FIG. 2B) INTO GREEN CONNECTORS LOCATED UNDER TRUNK.
5. CHECK LIGHTS BY TURNING IGNITION SWITCH TO "ON" POSITION.
6. TURN IGNITION SWITCH TO "OFF" POSITION AND REINSTALL L/R LIGHTS.
7. REPLACE TRUNK LOWER COVER, MAKING CERTAIN HARNESS ASSEMBLIES ARE NOT PINCHED.