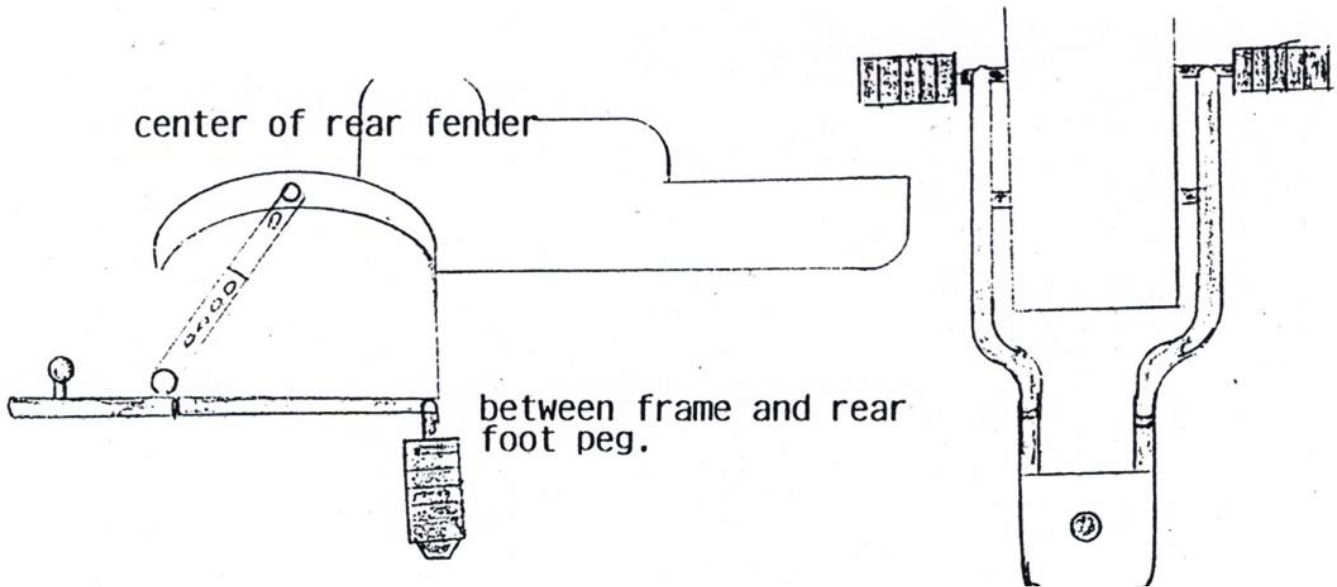


Barracuda®

93-448 Trailer Hitch Installation Instructions for GL1000 and GL1100 Standard or stripped down models



1. Place bike on center stand.
2. Insert the drawbars between the frame and the rear foot pegs.
3. Reinstall the pegs but do not tighten.
4. Remove the center fender bolts.
5. Install the short bars but do not tighten.
6. Insert the receiver into the drawbars. Bolt together but do not tighten.
7. Mount the long bars to the tabs on the receiver.
8. Connect the long bar to the short bar in one of the holes that would make the receiver level.
9. Try to get the ball height to around 13-1/2".
10. Tighten all bolts and install the ball.

NOTE: Follow the trailer manufacturer's loading instructions and torque weight.