

BIG BIKE PARTS® INSTALLATION INSTRUCTIONS

LOWER SADDLEBAG SPOILER LIGHT KIT
PART NO. 2-486

FOR HONDA
GOLDWING GL1500/6

Copyright© 1997 by Big Bike Parts, Inc. No part of this instruction sheet may be reproduced without the written permission of Big Bike Parts, Inc.®

Revised 7/25/2017

ITEMS REQUIRED: COPING SAW 3/16" DRILL BIT
FILE 1/4" DRILL BIT
CENTER PUNCH UTILITY KNIFE
DRILL MASKING TAPE
8MM WRENCH

NOTE: THIS KIT IS FOR USE WITH THE HONDALINE LOWER SADDLEBAG SPOILER.

1. SET YOUR GL1500/6 FIRMLY ON ITS CENTER STAND
2. USING THE NEW CHROME GRILLE AS A TEMPLATE, POSITION IT ON THE LOWER SPOILER, MAKING SURE IT IS POSITIONED RIGHT SIDE UP, THE LONGER LENGTH IS THE TOP SIDE. ONCE YOU HAVE IT PROPERLY POSITIONED, TAPE IT IN PLACE.
NOTE: AS THE SPOILER IS CURVED, YOU WILL NEED TO SHAPE THE CHROME TO PROPERLY MATCH AND ALIGN WITH THE SPOILER SHAPE FOR A PERFECT FIT.
3. ONCE THE GRILLE IS CENTERED AND TAPED INTO PLACE, TAKE THE CENTER PUNCH AND MARK THE FOUR SCREW HOLES, USING THE CHROME GRILLE AS YOUR TEMPLATE (1A).
4. REMOVE THE CHROME GRILLE USED AS YOUR TEMPLATE AND USING A 3/16" DRILL BIT, DRILL OUT THE FOUR MARKED HOLES.
5. USING THE TWO LIGHTS AS YOUR TEMPLATE, MOUNT THEM WITH THE LENSES AGAINST THE SADDLEBAG LOWER SPOILER. USING THE HOLES DRILLED ABOVE AND USING A UTILITY KNIFE SCORE THE OUTLINE OF THE LIGHTS TO PROVIDE AN OUTLINE OF THE AREA TO BE CUT OUT.
5. USING A LARGER 1/4" DRILL BIT, DRILL A PILOT HOLE IN THE AREA TO BE CUT OUT (1B).
6. USING A COPING SAW, CUT OUT THE SCORED AREA TO HOLD THE LIGHTS.
7. USING A FILE, FINE TUNE THE CUT OUT HOLE AND HAND FIT THE LIGHT TO THE OPENING.
8. ONCE YOU HAVE HAND FITTED ALL THE COMPONENTS AND FIT CHECKED THEIR MOUNTING, YOU CAN PERMANENTLY MOUNT THE CHROME STRIP BY USING THE ADHESIVE TAPE AND MOUNTING THE LIGHTS AND GRILLES WITH THE SCREWS PROVIDED.
9. ROUTE THE WIRES UP THE BACK OF THE SPOILER, WIRING TO EITHER YOUR BRAKE OR RUNNING LIGHTS AS YOU PREFER.

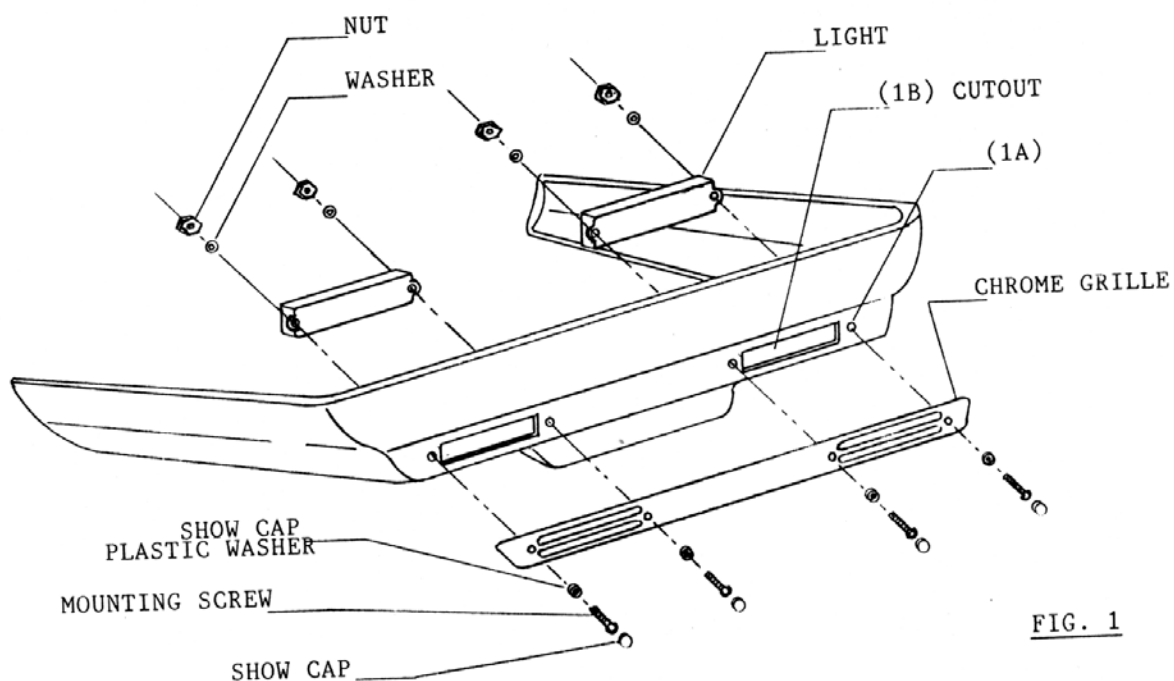


FIG. 1